

UNIVERSAL DRAWER CLAMP

C-48N

DRAWER CLAMP

DODDS universal drawer clamp, **Model C-48N**, assembles drawers of all construction types quickly and precisely. Ideal for both custom and long production runs, this machine features almost zero set up time and requires no set up tools. It has powered opening and closing for different drawer widths, and quick set stop pins for different drawer depths. Model C-48N assembles drawers with standard English (finger type) dovetails, bored and doweled drawers, tongue and dado, box and butt joints. Other **DODDS** machines for drawer assembly include Model GP-26F dovetail gluer, which applies the correct amount of glue to the drawer side tenons before the drawer is assembled in the clamp.

Simple Operation

Operate the clamp with push button to open and hand controls to close for different drawer widths. Set the stop pins for different drawer depths, top to bottom. Use potentiometer to select clamping pressure. Place the drawer parts in the clamp, and depress the hand controls to clamp the drawer. Apply hot metal glue or equivalent to secure drawer bottom. Release the clamp pressure using the hand controls, and remove the assembled drawer.

Features

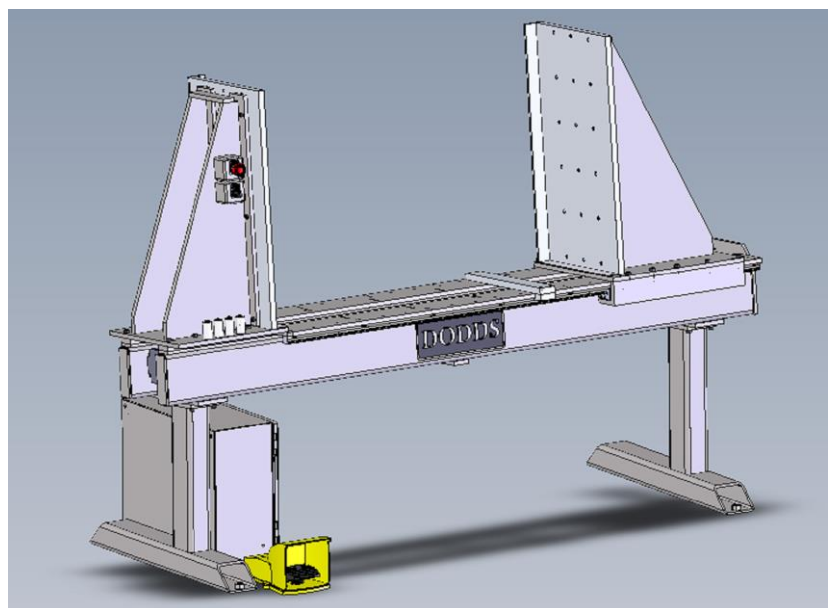
- Electrical controls for machine operation.
- No tools needed for set up.
- Assembles several types of drawer construction.
- Servo powered screw for automatic opening, closing and clamping.
- Full length platens.
- Center support for wide drawers.
- Foot pedal operation.
- Quick release of clamp pressure built into foot pedal.
- Accessibility for securing the drawer bottom.
- Continuous clamping of the drawer until the drawer bottom is secured with hot melt, staples, or equivalent.
- Width scale for quick set up.
- Two hand controls.

Options

- 20 degree angle.
- 110 V/1 PH.

Specifications:

*Call for specs



Model C-48N